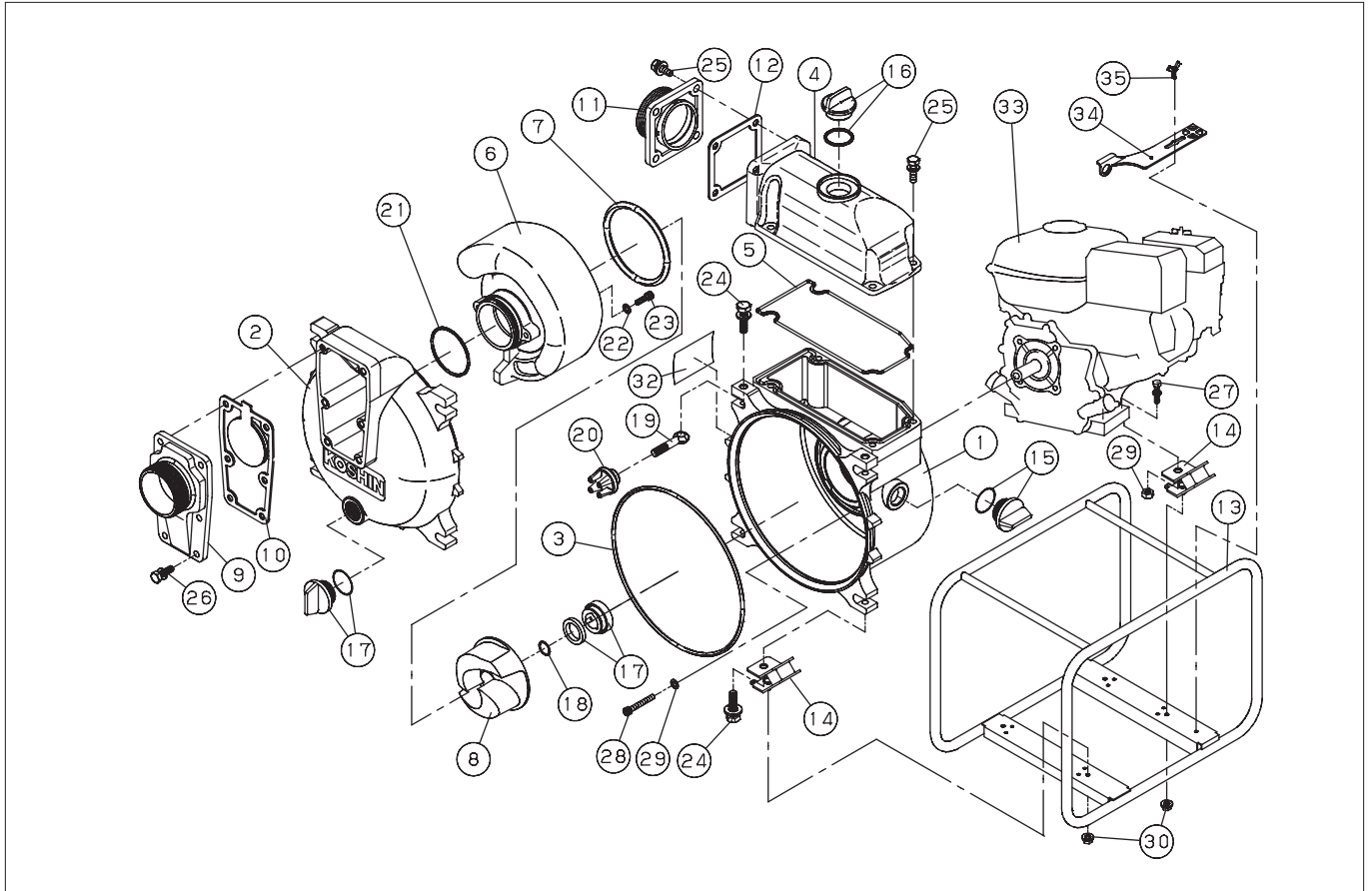


KTH-80X

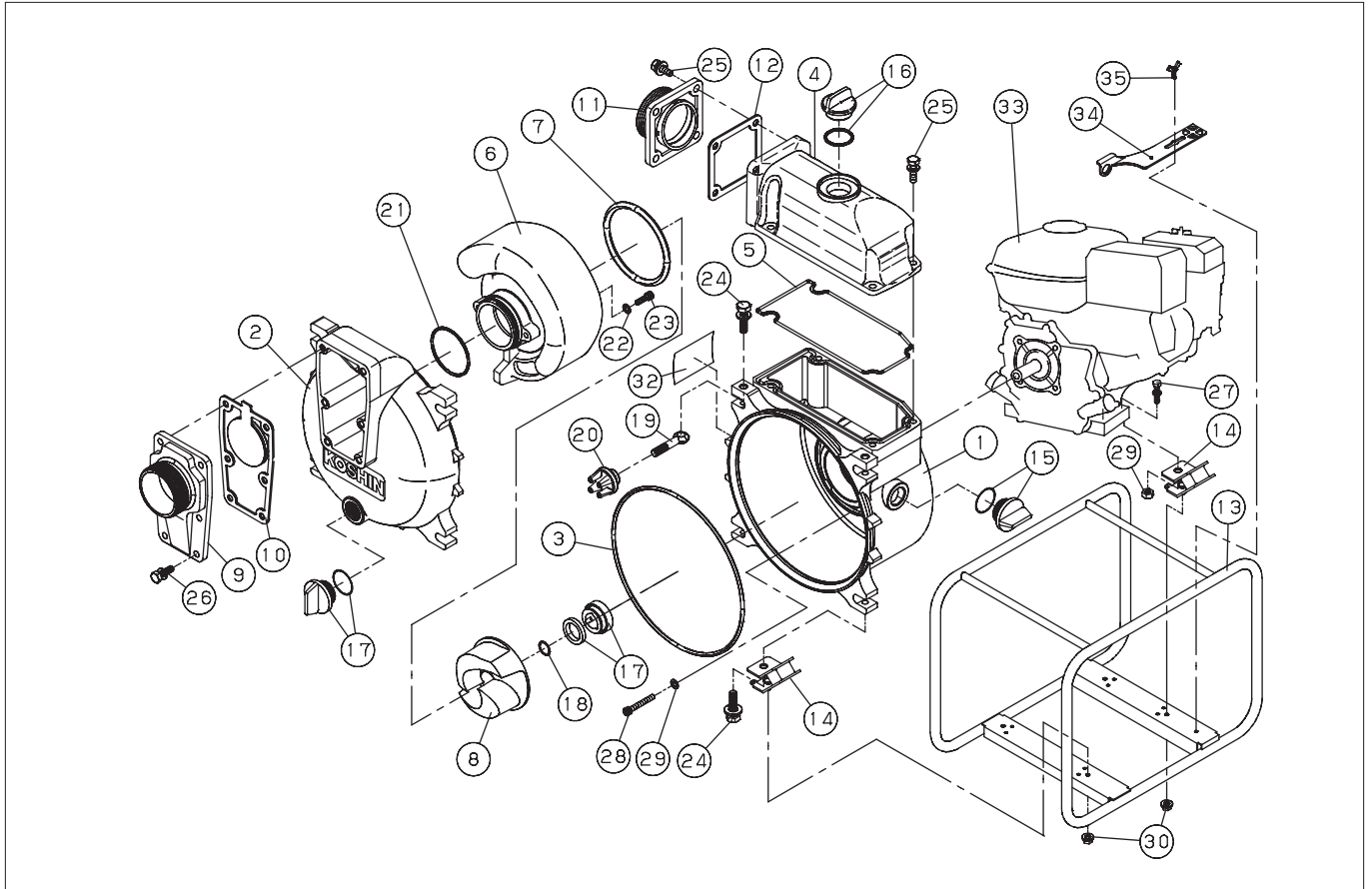


DWG No. 012853411MODEL:KTH-80X FORM:KTH-80X-BAA-0

No.	PARTS CODE	PARTS NAME	QTY	MATERIAL	SIZE	REMARKS
1	011554605	PUMP CASING	1			
2	011554502	FRONT COVER	1			
3	011557901	FRONT COVER PACKING	1	NBR		
4	011554702	DELIVERY HOUSING	1	ADC		
5	011554801	HEAD PACKING	1	NBR70°		
6	011555906	VOLUTE CASING	1			
7	011557801	CASING PACKING	1	NBR		
8	011555804	IMPELLER	1			
9	011136003	SUCTION FLANGE	1	NPT ADC-12		
10	011569201	CHECK VALVE	1	NBR NEO-180		
11	011583702	DELIVERY FLANGE	1	NPT ADC		
12	011058402	FLANGE PACKING	1	CR		
13	012812201	BASE SET	1			
14	011617202	WT CUSHION RUBBER	4	CR 60°		
15	011807901	25A PLUG SET	2			
16	011845001	32A PLUG SET	1			
17	011567802	MECHANICAL SEAL	11	EH791-25 SICXSIC		
18	011008101	IMPELLER ADJUSTING WASHER	3		T0.3	
19	011558002	COVER BOLT	4			
20	011559002	KNOB	4			
21	011567601	O-RING	1	NBR		
22	854255008	SEAL WASHER	2		φ 8	
23	734505066	HEXAGON SOCKET BOLT	2	SUS	M8X25	
24	743119083	HEXAGON BOLT	4	SWRM	M12X45	
25	743119063	HEXAGON BOLT	8	SWRM	M10X30	
26	743119061	HEXAGON BOLT	6	SWRM	M10X25	
27	743119065	HEXAGON BOLT	2	SWRM	M10X35	
28	011651601	HEXAGON SOCKET BOLT	4	SCM	M8X55	
29	011649302	WASHER	4	ALUMINIUM A1100 PH14		φ 8
30	842319008	SPRING NUT	4	SWRM	M8	

◆ Bare engine can not be supplied

KTH-80X



DWG No. 012853411MODEL:KTH-80X FORM:KTH-80X-BAA-0

No.	PARTS CODE	PARTS NAME	QTY	MATERIAL	SIZE	REMARKS
31	827419010	HEXAGON NUT	2	SWRM	M10	
32	011568702	NAME PLATE	1			
33	011573803	ENGINE WITH OIL ALERT	1			
34	011576702	TOOL	1	SPC		
35	741305153	WING BOLT	1	SUS	M8X15	
	012079501	OPERATION MANUAL	1			
	011568402	PACKING CASE	1	K6W		

◆ Bare engine can not be supplied