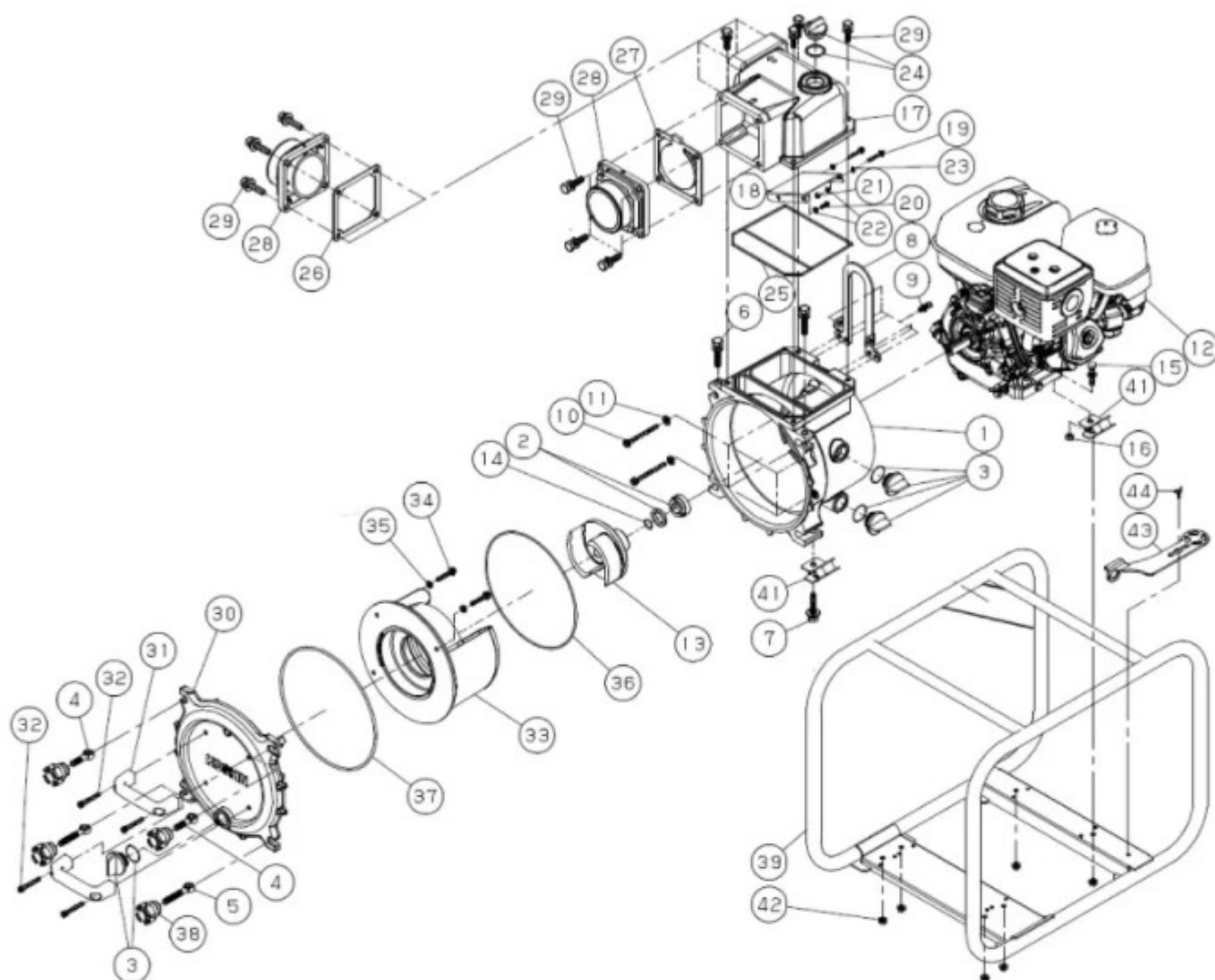


## KTH-80S Parts List



REF NO.	PART NO.	DESCRIPTION	QTY.
01	0121439	HOUSING (KTH-80S)	1
02	0115678	MECHANICAL SEAL	1
03	0118079	25A PLUG SET	3
04	0121843	COVER BOLT TOP	2
05	0121844	COVER BOLT BOTTOM	2
06	743119083	HEX BOLT M12x45 1pc	2
07	743119084	M12*50 HEX BOLT 1pc	2
08	0121454	LIFTING EYE (KTH-80S)	1
09	734614090	BOLT, LIFTING EYE 1pc	6
10	0121925	BOLT, FLANGE (M10x1.25x50) 1pc	4
11	0121915	WASHER, ALUMINUM (φ10) 1pc	4
13	0121438	IMPELLER KTH-80S	1
14	0110081	ADJUSTING WASHER 1pc	3
15	743119067	HEX BOLT M10x40 1pc	2
16	827419010	M10 NUT	2
17	0121437	PUMP HEAD KTH-80S	1
18	0121457	BAFFLE (KTH-80S)	1
19	734705047	BOLT, OUTSIDE BAFFLE 1pc	2
20	734505276	BOLT, INSIDE BAFFLE 1pc	2
21	827405006	M6 NUT 1pc	2
22	846205006	WASHER (M6) 1pc	4

REF NO.	PART NO.	DESCRIPTION	QTY.
23	0121914	WASHER, ALUMINUM (φ6) 1pc	2
24	0118450	32A PLUG SET	1
25	0121450	GASKET, HEAD (KTH-S)	1
26	0110584	DEL. FLANGE GASKET	1
27	0121574	CHECK VALVE KTH-80S	1
28	0115837	DELIVERY FLANGE*	2
29	743119063	M10*30 HEX BOLT 1pc	12
30	0121440	FRONT COVER KTH-80S	1
31	0121453	HANDLE, KTH-S	2
32	734520070	BOLT, HANDLE 1pc	4
33	0121441	VOLUTE KTH-80S	1
34	734705066	BOLT, VOLUTE 1pc	3
35	0116493	WASHER, ALUMINUM (φ8) 1pc	3
36	0121917	O-RING, VOLUTE (KTH-S)	1
37	0121916	O-RING, COVER (KTH-S)	1
38	0121449	KNOB, (KTH-S)	4
39	0128438	FRAME KTH-80S	1
41	0116172	RUBBER MOUNT	4
42	842319008	SPRING NUT 1pc	4
43	0121918	MULTI TOOL (KTH-80S)	1
44	741305153	M8*15 WING BOLT	1